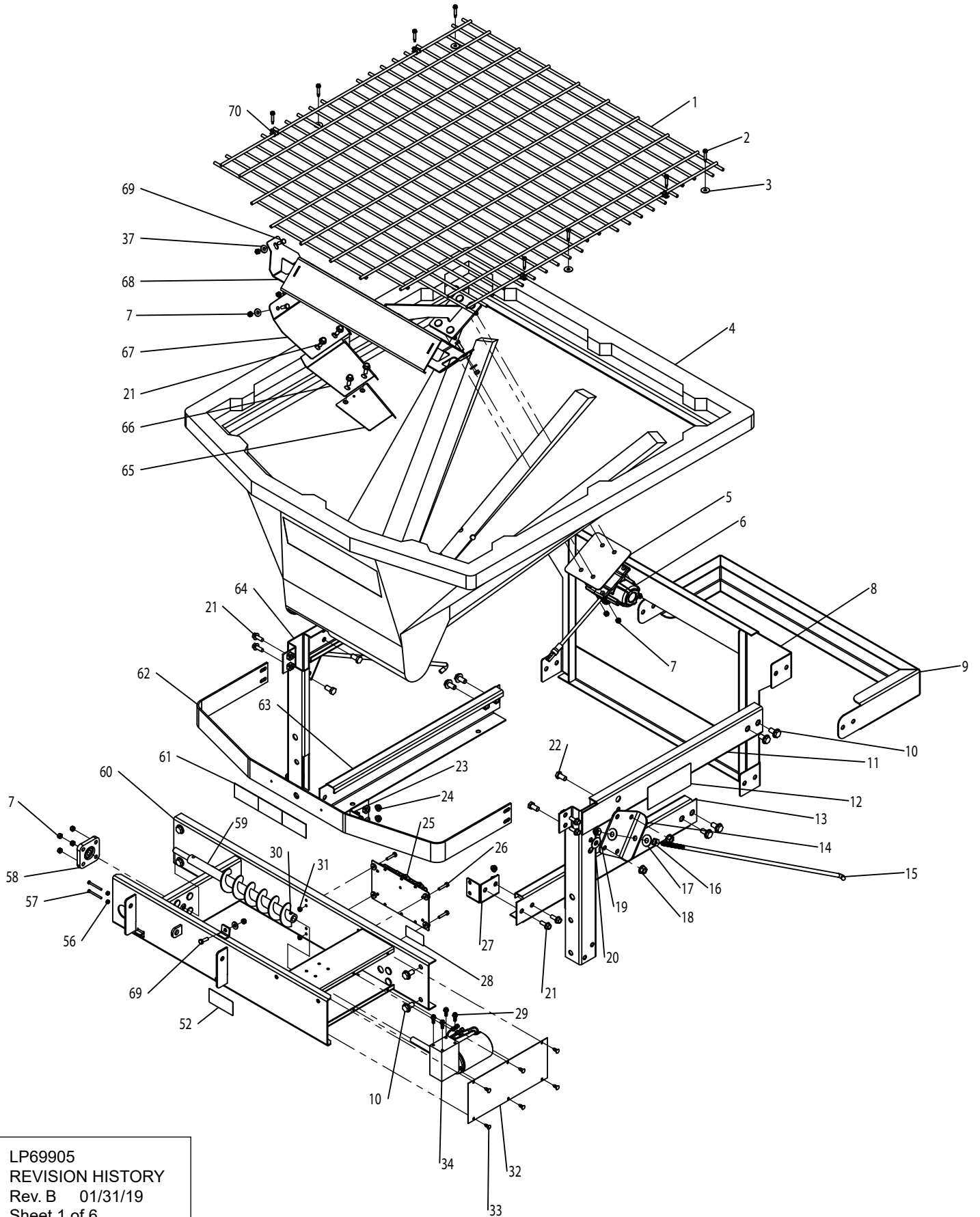
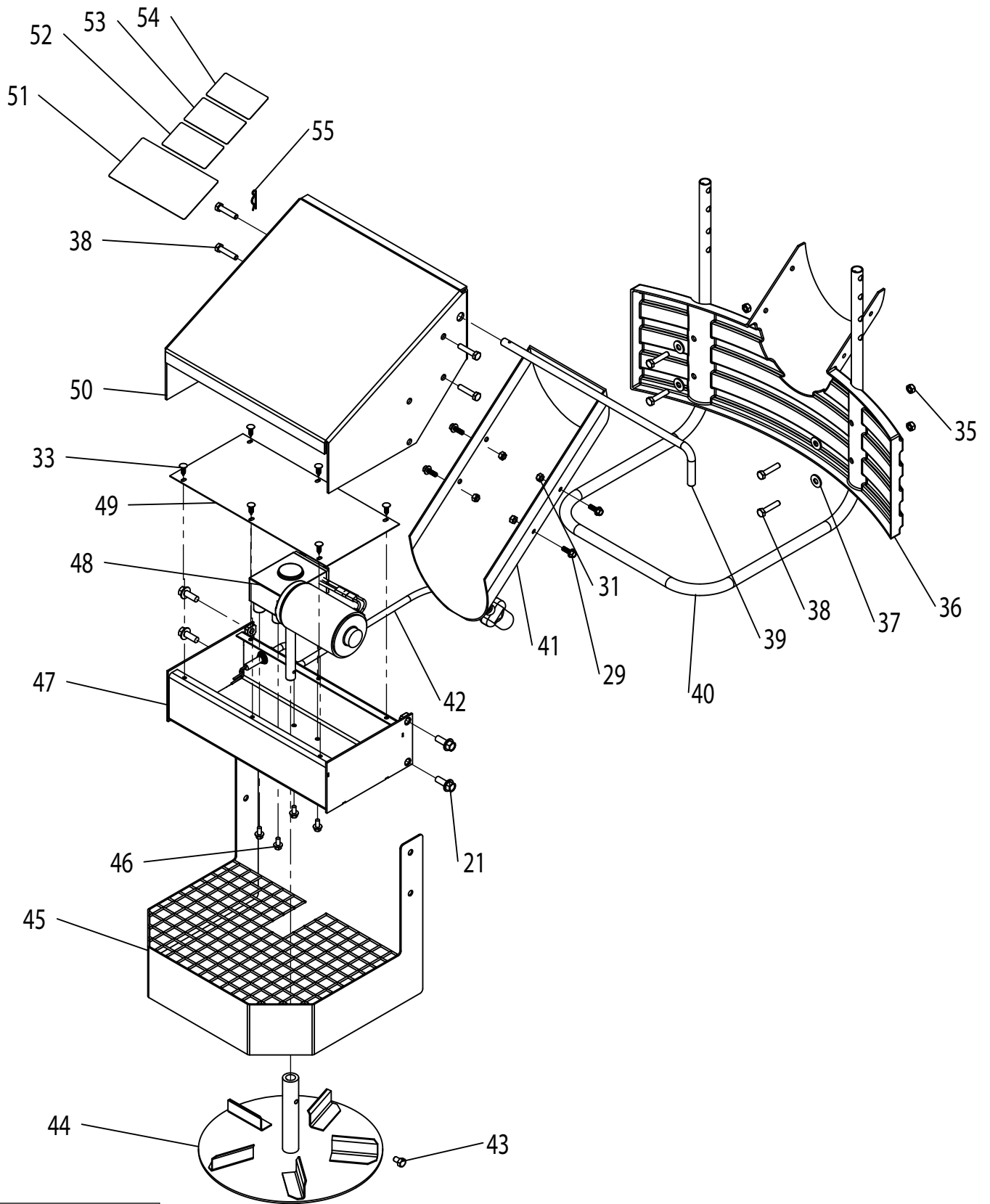


# LP69905 - In Bed Spreader - Hopper Assembly

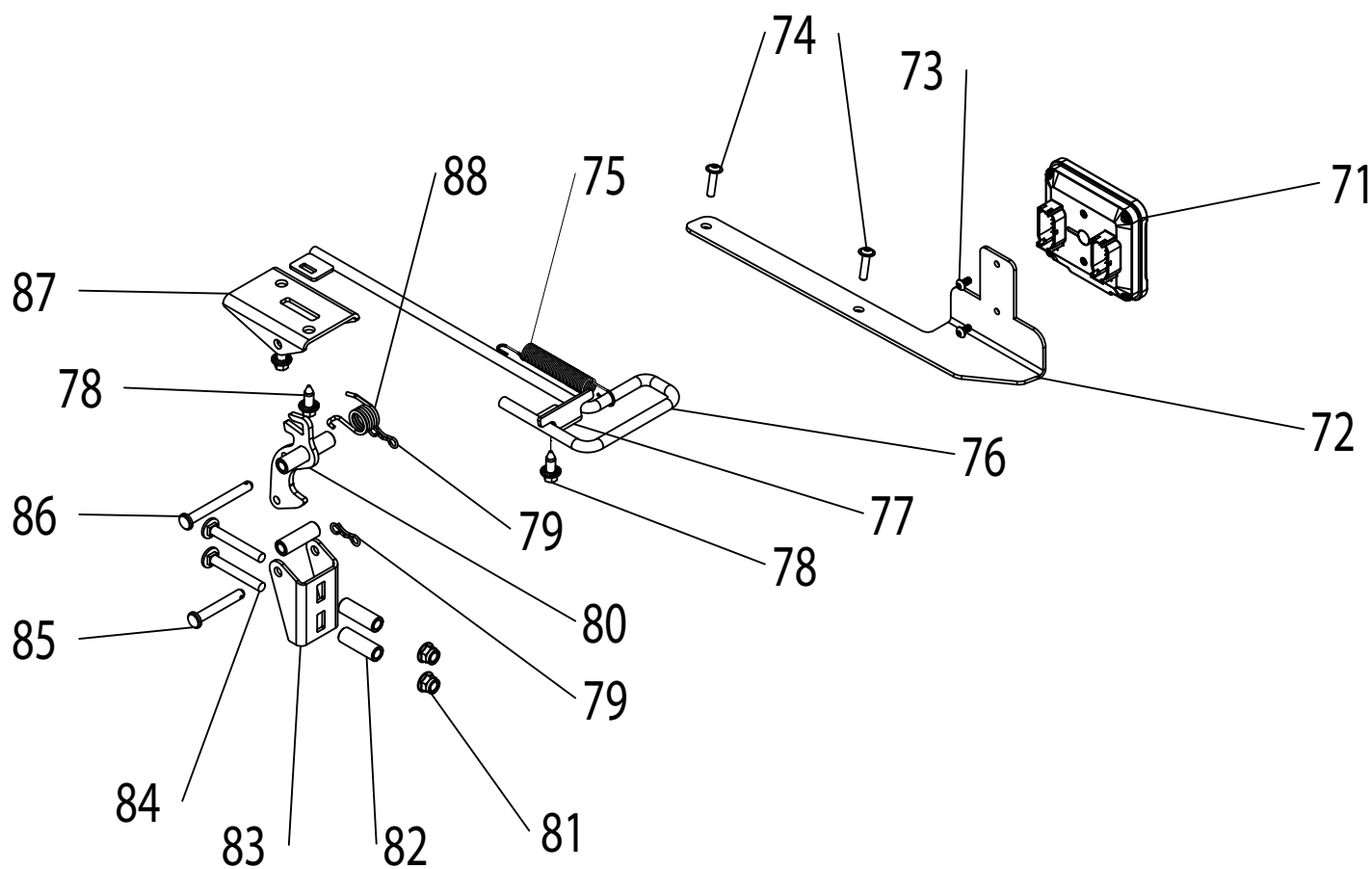


LP69905  
REVISION HISTORY  
Rev. B 01/31/19  
Sheet 1 of 6

# LP69905 - In Bed Spreader - Spinner Assembly



# LP69905 - In Bed Spreader - Dash Display & Cargo Box Latch Kit



## LP69905 - In Bed Spreader - Parts List

ITEM NO.	PART NUMBER	DESCRIPTION	QTY.
1	ST50803	Hopper Grate	1
2	ST65232	1/4" x 1.5" Flange Self Drilling Plastic Screw	8
3	ST65015	5/16" Fender Washer	4
4	ST50793	Poly Hopper	1
5	ST50802	Vibrator Plate	1
6	ST50422	Vibrator	1
7	ST65089	3/8" Nylock Nut	17
8	ST50787	Frame Weldment, Front	1
9	ST50730	Bumper	1
10	ST65234	1/2"-13 x 1" Serr. Flange Bolt	12
11	ST50785	Frame Weldment, Right	1
12	ST50725	Warning Label - Rollover	2
13	ST50790	Frame Rail, Right	1
14	ST50731	Tie Down Bracket	2
15	ST50737	Tie Down Hook	2
16	ST65228	1/2" Nut Stainless Steel	2
17	ST65227	1/2" Washer Stainless Steel	4
18	ST65037	1/2" Flange Nut	4
19	ST65048	1/2" Nyloc Lock Nut	2
20	ST65077	1/2" Washer	2
21	ST65045	3/8"-16 x 1" Flange Bolt	16
22	ST65049	1/2 x 1 Hex Bolt	4
23	ST50789	Corner Bracket, Left	1
24	ST65012	3/8"-16 Flange Nut	4
25	ST48482	Control Module, Rear, Assembly	1
26	ST65184	1/4"x 1-1/4" Bolt	4
27	ST50788	Corner Bracket, Right	1
28	STSerialTag	Serial Tag	1
29	ST65229	1/4"-20 x 3/4" Flange Bolt	8
30	ST50804	Set Screw	1
31	ST65017	1/4 Nylock Nut	8
32	ST50794	Motor Cover Plate	1
33	ST50782	Push In Clip	12
34	ST50795	Auger Motor	1
35	ST65097	5/16" Nylock Nut	4
36	ST50777	Plastic Shield	1
37	ST65223	5/16" Flat Washer	9
38	ST65144	5/16" x 1.5" Hex Head Bolt	8
39	ST50783	Pin	1
40	ST50776	Tube Frame	1
41	ST50778	Plastic Chute	1

## LP69905 - In Bed Spreader - Parts List

ITEM NO.	PART NUMBER	DESCRIPTION	QTY.
42	ST50779	Spinner Motor Cord	1
43	ST65231	5/16"-18 x 1/2" Hex Bolt	1
44	ST50780	Spinner Disk	1
45	ST50774	Spinner Guard	1
46	ST65230	1/4"-20 x 1/2" Flange Bolt	4
47	ST50771	Motor Mount Weldment	1
48	ST50781	Spinner Motor	1
49	ST50772	Motor Mount Cover Plate	1
50	ST50773	Spinner Cover	1
51	ST48479	Warning Label - Flying Objects	1
52	ST50306	Warning Label - Moving Parts	2
53	ST50307	Caution Label - No Step	1
54	ST48480	Caution Label - Read Operators Manual	1
55	ST43624	Bowtie clip, small	1
56	ST65212	#10-24 Nylock Nut	2
57	ST65233	#10-24 x 2" Hex Bolt	2
58	ST50796	Flange Bearing	1
59	ST50797	Auger	1
60	ST50784	Drive Frame Weldment	1
61	ST50805	Reflective Sticker	1
62	ST50792	Hopper Bracket	1
63	ST50791	Frame Rail, Left	1
64	ST50786	Frame Weldment, Left	1
65	ST50800	Bracket Weldment	1
66	ST50799	Bracket Weldment	1
67	ST50798	Bracket	1
68	ST50801	Vibration Baffle Weldment	1
69	ST65050	5/16"-18 x 1" Hex Bolt	5
70	ST50806	P-Clip	4
71	ST50759	3.5in Color Display	1
72	ST50760	Display Bracket	1
73	ST65225	M5x10 Button-Head Socket Cap Screw	2
74	ST65187	M6x25 Button-Head Socket Cap Screw	2
75	ST50748	Spring	1
76	ST50739	Handle	1
77	ST50740	Plate	1
78	ST50747	Screw, M8 x 20 Serr. Flange	3
79	ST43624	Bowtie Clip, Small	2
80	ST50743	Hook	1
81	ST65219	M8 Flange Nylock Nut	2

## LP69905 - In Bed Spreader - Parts List

ITEM NO.	PART NUMBER	DESCRIPTION	QTY.
82	ST50742	Bushing	3
83	ST50741	Support	1
84	ST65218	M8 x 60 Carriage Bolt	2
85	ST50232	5/16" x 2-1/2" Clevis Pin	1
86	ST43402	5/16" x 3" Clevis Pin	1
87	ST50745	Bracket	1
88	ST50744	Spring	1
Not Shown	ST50734	Hopper Cover	1
Not Shown	ST50808	Harness, Spinner Motor	1
Not Shown	ST50809	Harness, Auger Motor	1
Not Shown	ST50810	Harness, Vibrator	1
Not Shown	ST50758	Harness, Display	1
Not Shown	ST50687	Harness, Extension Wire	1
Not Shown	ST50732	Harness, Controller	1
Not Shown	ST50833	Dust Cap, Harness Plug	1
Not Shown	ST50807	Dust Cap, Display	1